



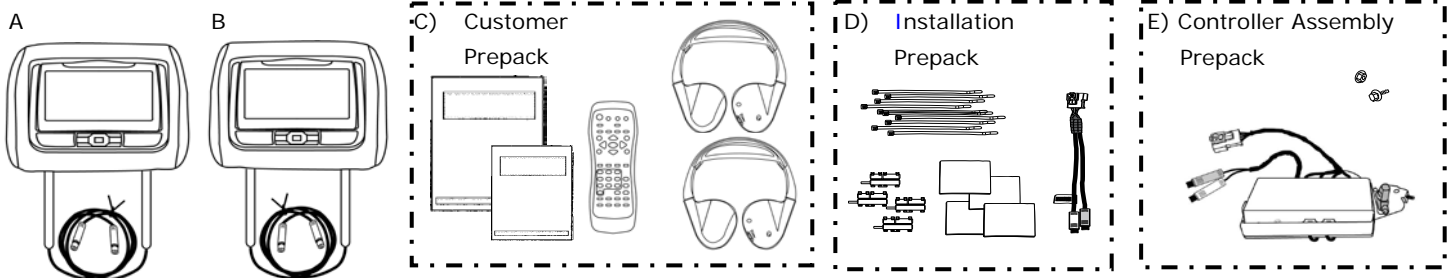
GENUINE PARTS

INSTALLATION INSTRUCTIONS

DESCRIPTION:	DUAL DVD HEADRESTRAINT MONITOR
APPLICATION:	Pathfinder - (2014 without factory FES and with VINs ending in less than 650298)
PART NUMBER:	Dual DVD Headreststraint Monitor Leather, (G;1) Charcoal - 999U8 XZ000 Dual DVD Headreststraint Monitor Leather, (H;1) Almond - 999U8 XZ001

KIT CONTENTS:

Item	Qty.	Part Description	Service Part Number	
A	1	DVD Headreststraint Monitor, Driver (DR)	See Service Part Number list at end of manual	
B	1	DVD Headreststraint Monitor, Assist (AS)		
C	1	Customer Prepack		
	2	• Wireless Headphones w/Batteries		
	1	• Remote Control w/Batteries		
	1	• Owner's Manual		
	3	• Quick Reference Guide		
D	1	Installation Prepack		
	16	• Cable Tie		
	4	• Security Clamp		
	4	• Foam Tape Strip		
	1	• 16-Pin Jumper Harness, Driver		
E	1	Controller Assembly Prepack		
	1	• Control Module and Bracket Assembly		
	1	• M5 Flange Nut		
	1	• M6 Flange Bolt		
				08146-6102G



TOOLS REQUIRED:

- Socket, 8mm and 10mm
- Torque Wrench
- Diagonal Cutters
- Ratchet, 1/4" Drive
- Plastic Removal Tool
- Consult 3+, ASSIST Tool

Please call Invision Tech-line help at 866-869-7888 for any installation, repair or warranty assistance.

PRE-INSTALLATION WARNINGS, CAUTIONS, CRITICAL STEPS, and NOTES:

NOTE: This is a common installation kit so all parts may not be used.

PRE-INSTALLATION WARNINGS, CAUTIONS, CRITICAL STEPS, and NOTES: (continued)

⚠ CAUTION

- **Caution** Dealer installation ONLY.
- **Caution** Cut the excess cable tie(s) as flush with the head as possible. Face head of cable tie away from sheet metal and other objects.
- **Caution** Use caution when removing/re-installing interior components to avoid damage, scratches, or breaking of mounting clips.
- **Caution** Ensure the Owner's Manual and Quick Reference Guide are placed in the vehicle glove box.

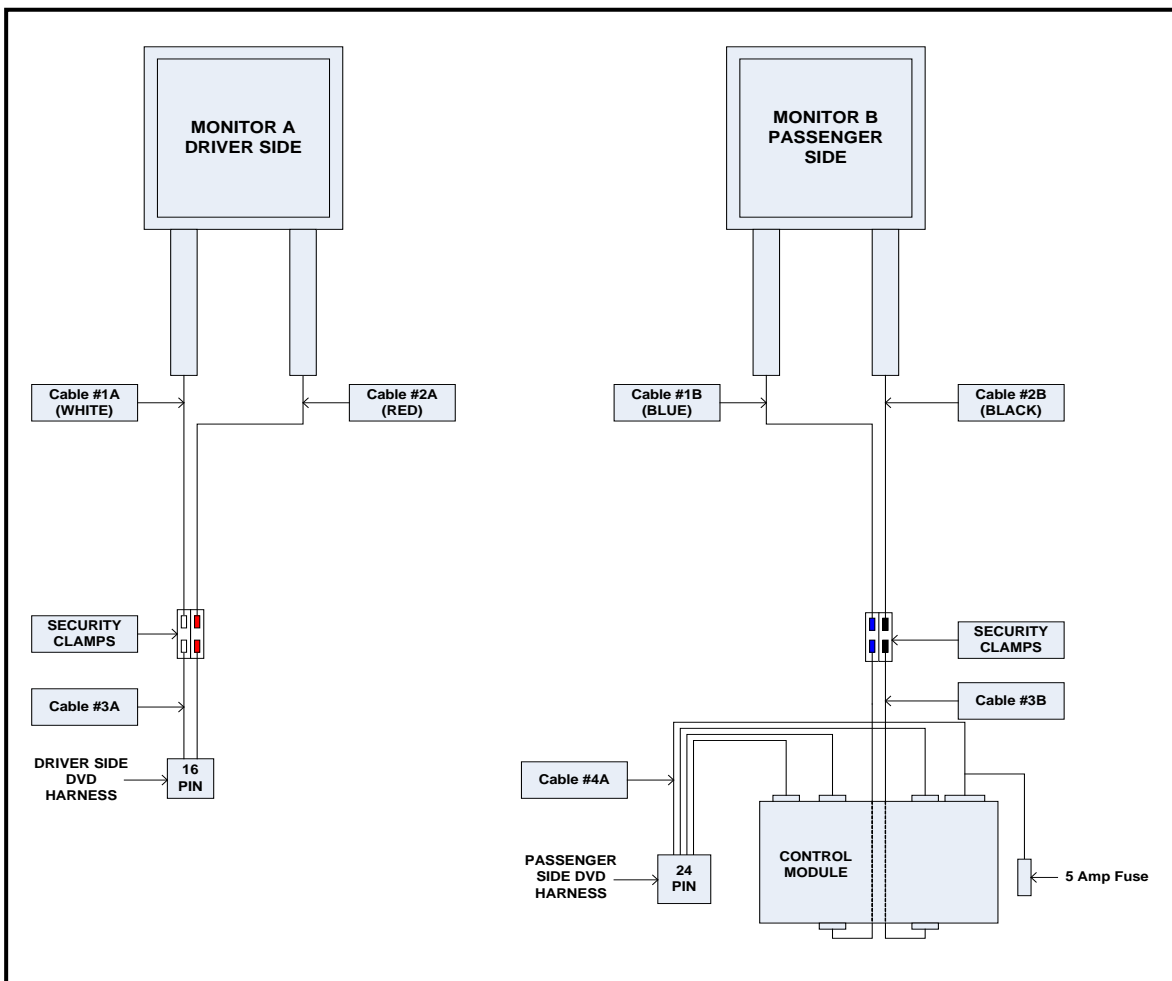
⚠ CAUTION

Critical Steps: The following steps are critical and must be performed **EXACTLY** as specified to ensure proper installation.

- Critical Step 1. All Cable and Harness routing instructions need to be followed as described to avoid interferences or system failure.
- Critical Step 2. Ensure headrests are set to the highest position when routing the cables to connect to the control module assembly.

INSTALLATION OVERVIEW:

System Block Diagram



VEHICLE PREPARATION PROCEDURE:

- 1) Apply parking brake.
- 2) Confirm the vehicle is no longer in the default shipping state (Extended Storage Switch Pulled Up and BCM in Transit Mode). Failure to confirm the vehicle has been removed from this state will result in the loss of normal vehicle operation. The confirmation requires two checks:

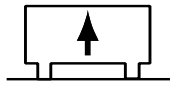
2a) Locate the Extended Storage Switch in the cabin fuse block. Once located, check that it is in the "Customer" position. See below for reference.

2b) Turn the ignition switch from "OFF" to "ON" position. If turn indicators illuminate for approx. 1 minute, the vehicle is in shipping mode. To exit shipping mode, return the ignition switch to "OFF" position. Simultaneously push the wiper and turn signal stalks downward and hold for 2 seconds.

Inventory Condition

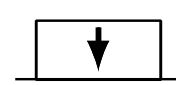
Customer

PULL UP

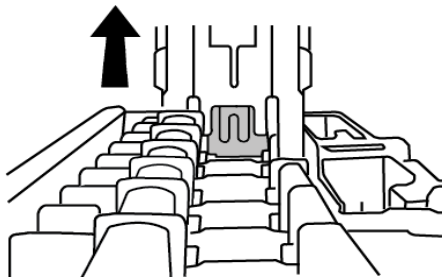


INCORRECT

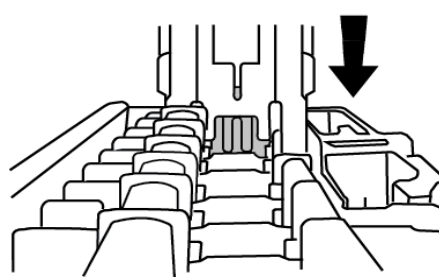
PUSH DOWN



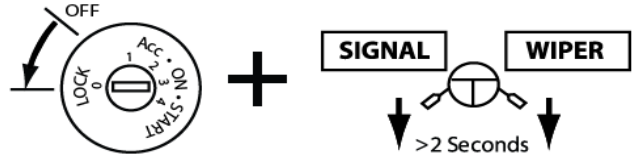
CORRECT



INVENTORY - UP



CUSTOMER - DOWN



NOTE: Typical vehicle condition shown above. Switch is easily identifiable by the permanent, push-pull fuse holder. Actual position on the fuse block may vary, vehicle to vehicle.

- 3) Turn ignition switch to "ON" position.
- 4) Record the customer radio presets and other presets as required.

Preset	1	1	2	3	4	5	6	7
A								
B								
C								

- 5) Put shift lever in "P" position for A/T and CVT or "1st" for M/T.
- 6) Turn ignition switch to "OFF" position.
- 7) Open the engine hood.

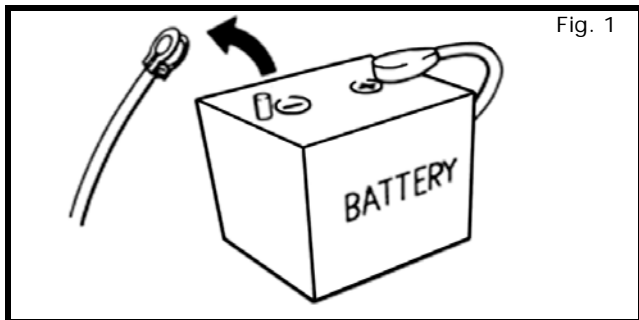
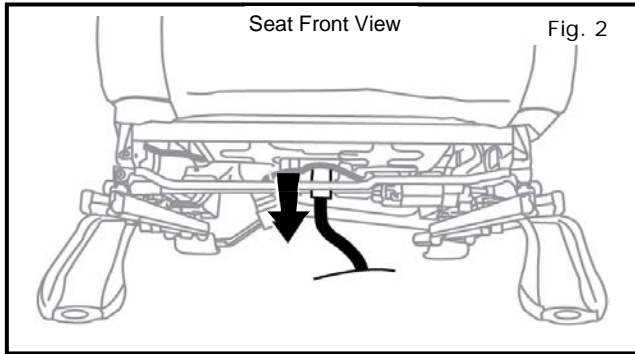


Fig. 1

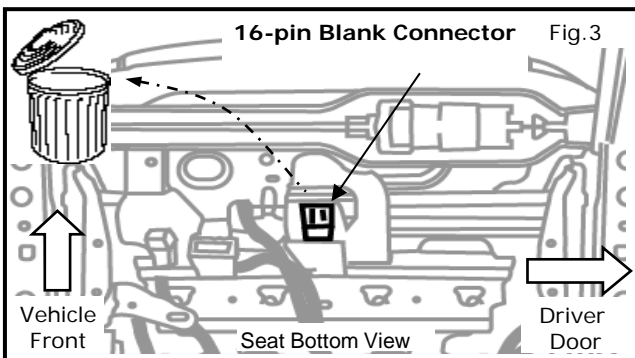
- 8) Disconnect negative battery terminal to prevent short circuits during installation procedure. Figure 1
 - a) Set power seats to Full Up and Rearward positions.
 - b) Disconnect negative battery terminal.

VEHICLE PREPARATION PROCEDURE: (continued)

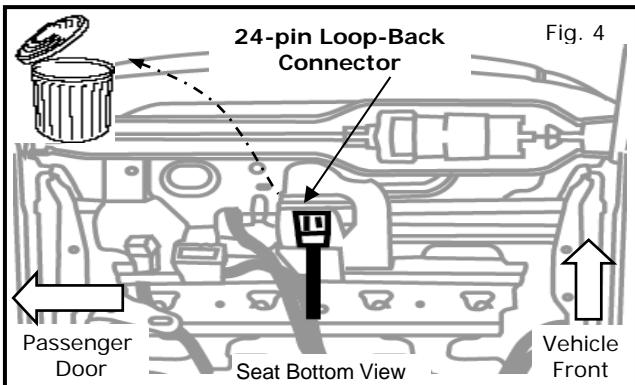
NOTE: Use caution when removing interior components to avoid damage, scratches, or breaking of mounting clips. Refer to the vehicle specific service manual for more information



- 9) Disconnect the factory prewire harness from the front seats. Figure 2
 - a) Disconnect factory prewire harness from blank connector under **Driver** front seat.
 - b) Disconnect factory prewire harness from loop-back connector under **Passenger** front seat.

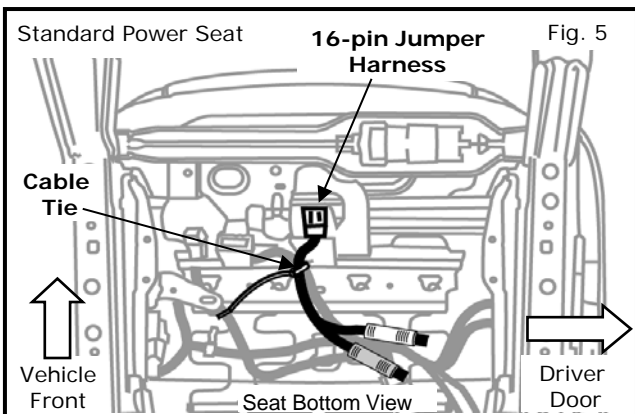


- 10) Using a plastic pry tool, remove and dispose of 16-pin blank connector under **Driver** front seat bottom. Figure 3



- 11) Using a plastic pry tool, remove and dispose of 24-pin loop-back connector under **Passenger** front seat. Figure 4

NOTE: For vehicles equipped with Climate Controlled Seats, proceed to step 14.

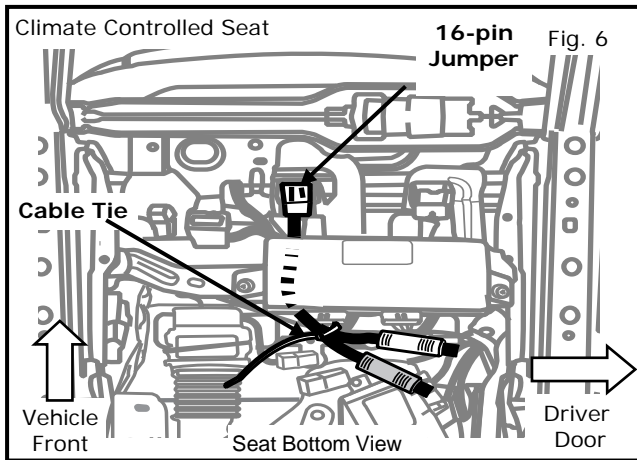


- 12) For vehicles with standard power seats, install 16-pin jumper harness under **Driver** front standard power seat, by pressing harness attachment clip into two holes where blank connector was attached and secure with one cable tie. Figure 5

NOTE: Do not connect vehicle prewire harness to 16-pin jumper harness until step 22.2

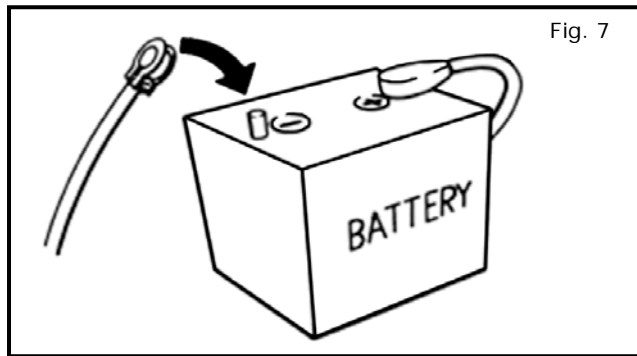
- 13) Vehicles with standard power seats proceed to step 16.

VEHICLE PREPARATION PROCEDURE: (continued)



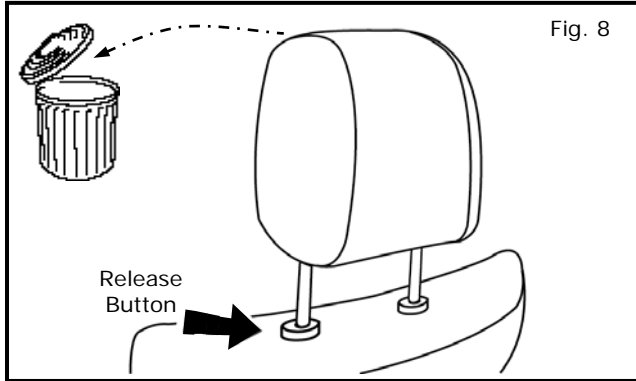
- 14) For vehicles with climate control seats, install 16-pin jumper harness under **Driver** front seat, by pressing harness attachment clip into two holes where blank connector was attached. Figure 6
- 15) Continue routing two headrest cables above climate control unit and toward rear of vehicle and secure with one cable tie.

NOTE: Do not connect vehicle prewire harness to 16-pin jumper harness until step 22.2



- 16) Reconnect negative battery terminal. Figure 7
- 17) Adjust seats to Full Up and Forward positions.

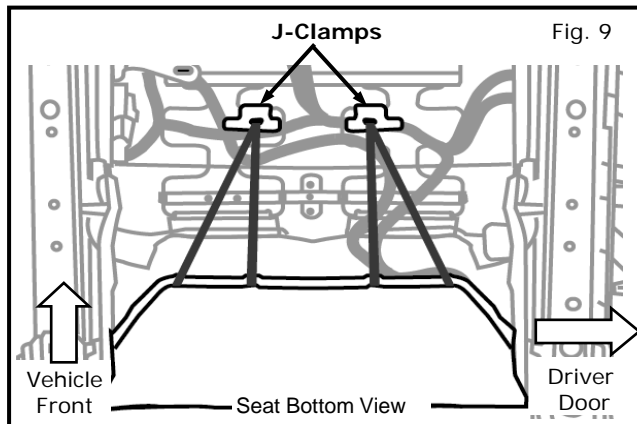
INSTALLATION PROCEDURE: DRIVER SIDE-STANDARD SEAT



18) Driver Side DVD Headrest Installation for Vehicles with Standard Power Seats

NOTE: For vehicles equipped with Climate Controlled Seats, proceed to step 19.

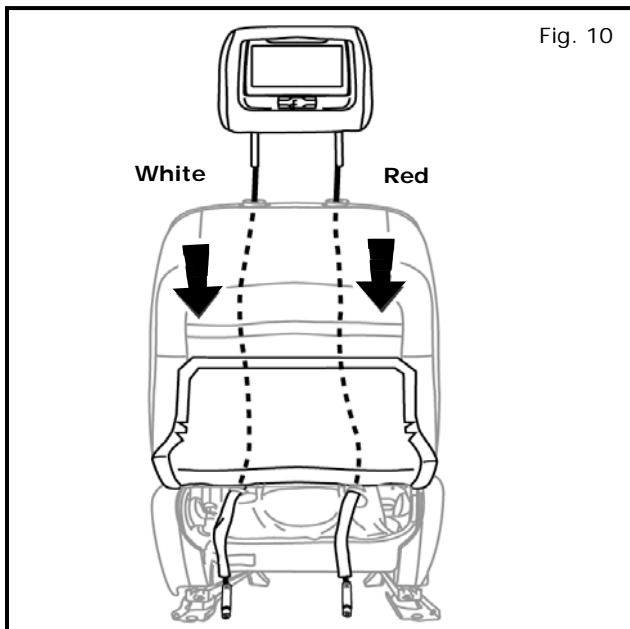
- 18.1) Remove and dispose of **Driver** headrest by pressing release button on seat post guide, and pulling up on headrest. Figure 8



- 18.2) Disconnect two j-clamps holding seat back apron to underside of **Driver** seat. Figure 9

NOTE: Use caution when inserting the DVD headrest posts to prevent damage/scratching of seat post guides and seating surface.

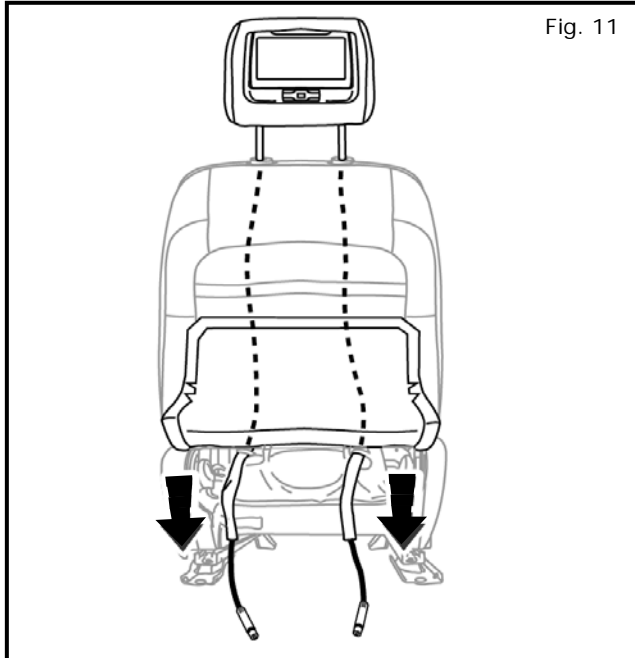
NOTE: Verify headrest material and color.



- 18.3) Insert driver DVD headrest cables (white/ red) into seat post guide holes of **Driver** seat as shown. Continue routing cables down through seat back and out of seat bottom. Figure 10

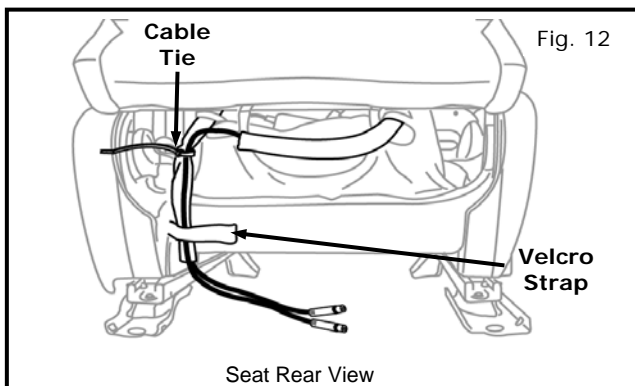
NOTE: When installing driver DVD headrest cables, it is important that DVD screen is positioned correctly. DVD screen must face rearward.

INSTALLATION PROCEDURE: DRIVER SIDE-STANDARD SEAT (continued)



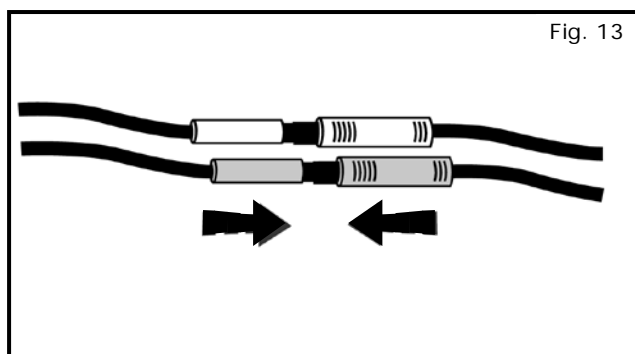
- 18.4) Insert **Driver** DVD headrest posts into seat post guides. Lock DVD headrest into its highest position (Bottom-Most Notch). Figure 11
- 18.5) Pull on two headrest cables from seat bottom to remove all slack. Figure 11

NOTE: Before tightening wire ties, reconnect battery and exercise seat to ensure wiring does not interfere with seat movement. Disconnect battery when complete.



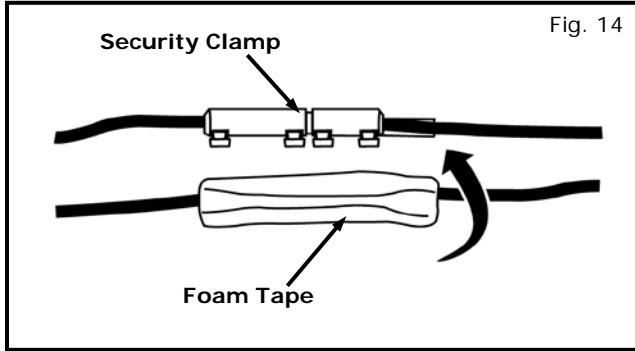
- 18.6) Group two headrest cables to outboard side of vehicle by routing cable with red barrel connector toward cable with white barrel connector. Secure cables to seat harness using one cable tie as shown. Figure 12
- 18.7) Continue routing two headrest cables down and under seat. Secure cables using existing seat bottom velcro strap. Figure 12

NOTE: Perform cable connection steps, 18.8 through 18.11, as noted to install DVD Headrest correctly for proper operation.



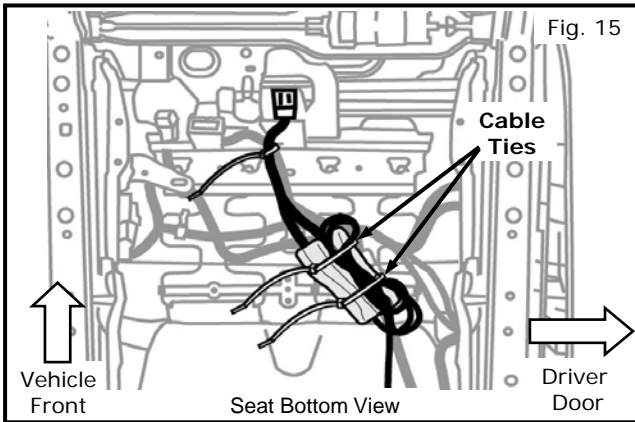
- 18.8) Continue routing two headrest cables toward front of vehicle. Connect red and white barrel connectors to matching red and white barrel connectors of 16-pin jumper harness. Figure 13

INSTALLATION PROCEDURE: DRIVER SIDE-STANDARD SEAT (continued)



18.9) Secure barrel connectors using two security clamps. Place red barrel connectors into one security clamp and lock closed. Place white barrel connectors into second security clamp and lock closed. Figure 14

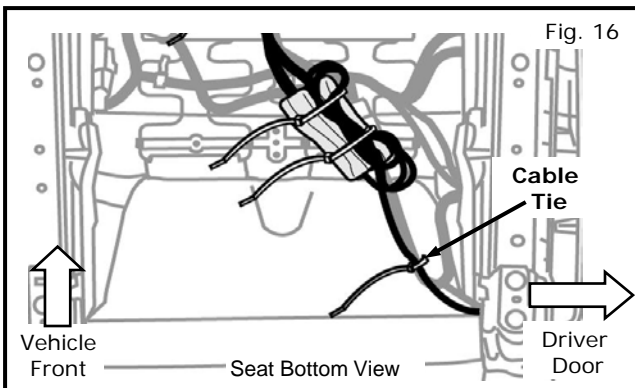
18.10) Apply one piece of foam tape over each security clamp. Figure 14



18.11) Use two cable ties to secure cable security clamps, cables and cable slack to factory harness. Figure 15

a) Group two security clamps and cable slack together with factory harness.

b) Use one cable tie on each side of security clamps (about 1/2" from foam tape ends) to secure.



18.12) Use one cable tie to secure cables to factory harness. Figure 16

18.13) Using diagonal cutters, cut all excess wire ties.

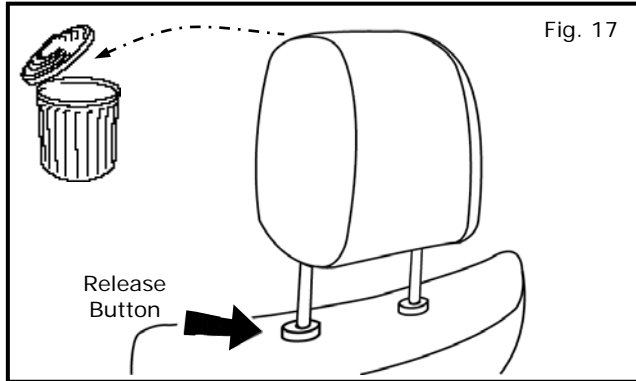
18.14) Reattach seat apron j-clamps.

NOTE: Do not connect vehicle prewire harness to 16-pin jumper harness until step 22.2

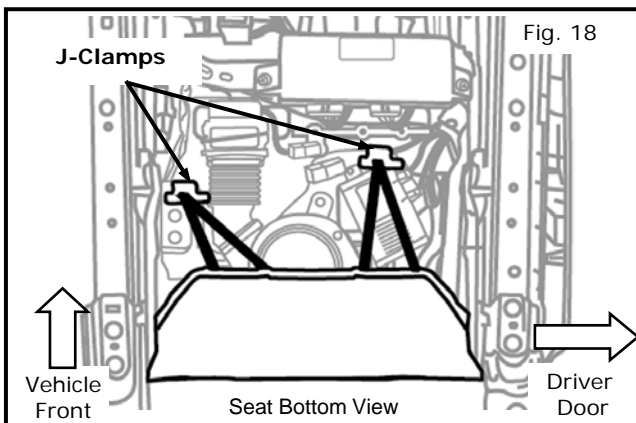
18.15) Continue to **Passenger** Side DVD Headrest Installation for Vehicles with Standard Seats step 20.

INSTALLATION PROCEDURE: DRIVER SIDE-CLIMATE CONTROL SEAT

19) Driver Side DVD Headrest Installation for Vehicles with Climate Control Power Seats



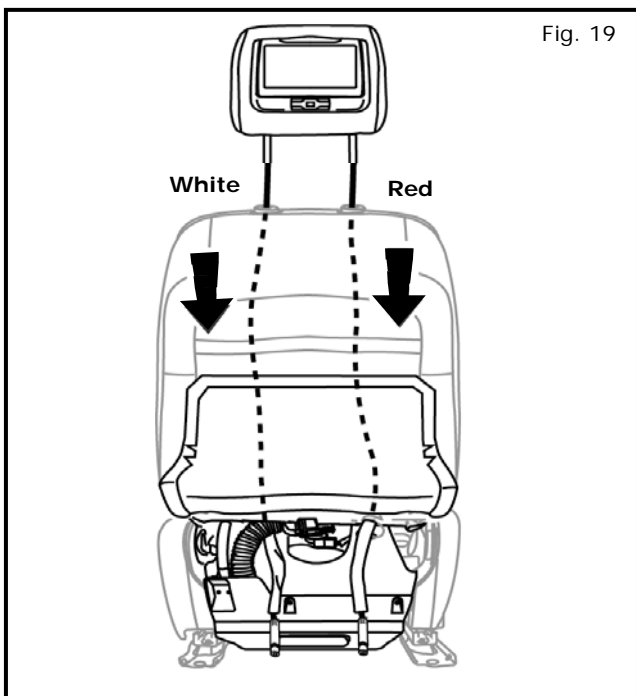
19.1) Remove and dispose of **Driver** headrest by pressing release button on seat post guide, and pulling up on headrest. Figure 17



19.2) Disconnect two j-clamps holding seat back apron to underside of **Driver** seat. Figure 18

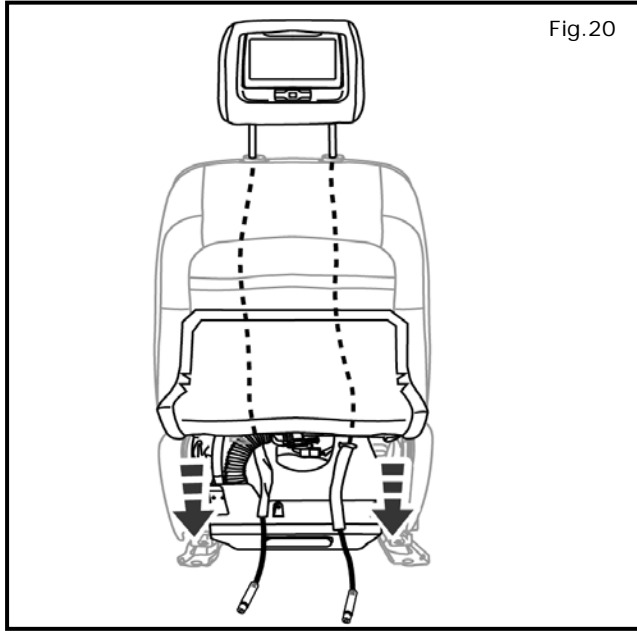
NOTE: Use caution when inserting the DVD headrest posts to prevent damage/scratching of seat post guides and seating surface.

NOTE: Verify headrestraint material and color.

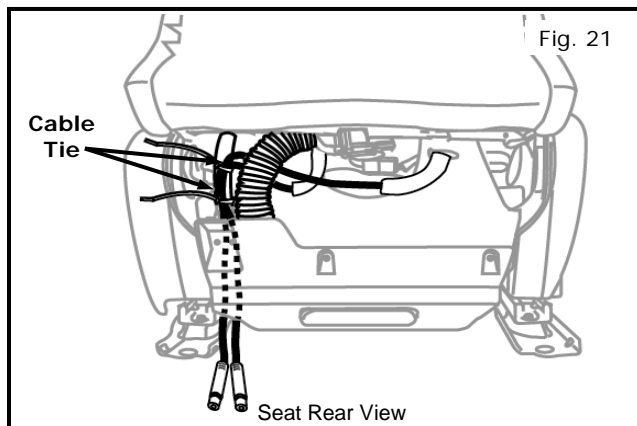


19.3) Insert driver DVD headrest cables (white/ red) into seat post guide holes of **Driver** seat as shown. Continue routing cables down though seat back and out of seat bottom. Figure 19

INSTALLATION PROCEDURE: DRIVER SIDE-CLIMATE CONTROL SEAT (continued)

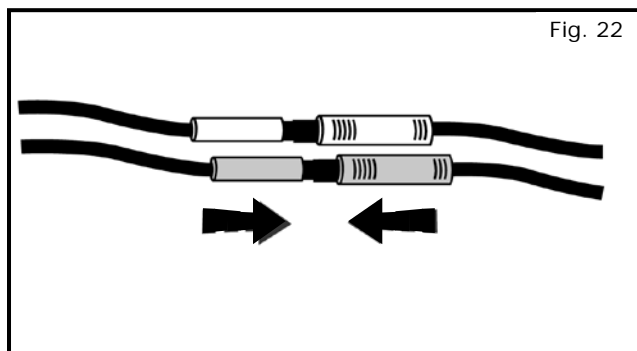


- 19.4) Insert **Driver** DVD headrest posts into seat post guides. Lock DVD headrest into its highest position (Bottom-Most Notch). Figure 20
- 19.5) Pull on two headrest cables from seat bottom to remove all slack. Figure 20



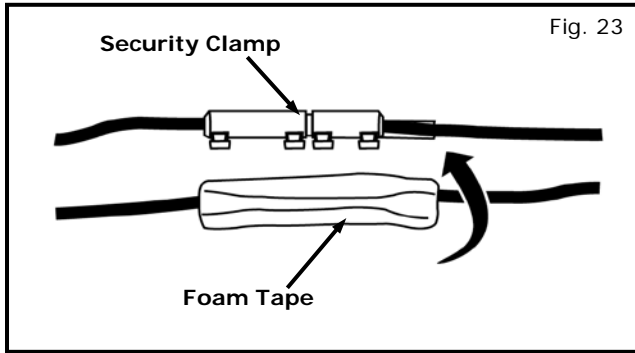
- 19.6) Group two headrest cables to outboard side of vehicle by routing cable with red barrel connector toward cable with white barrel connector. Secure cables to seat harness using two cable ties as shown. Figure 21

NOTE: Perform cable connection steps, 19.7 through 19.10, as noted to install DVD Headrest correctly for proper operation.



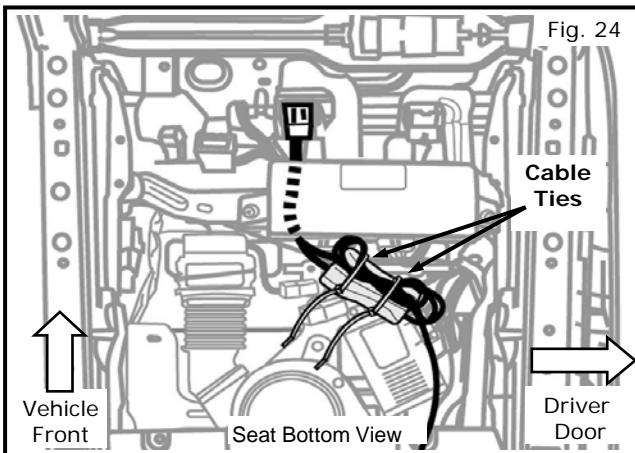
- 19.7) Continue routing two headrest cables toward front of vehicle. Connect red and white barrel connectors to matching red and white barrel connectors of 16-pin jumper harness. Figure 22

INSTALLATION PROCEDURE: DRIVER SIDE-CLIMATE CONTROL SEAT (continued)



19.8) Secure barrel connectors using two security clamps. Place red barrel connectors into one security clamp and lock closed. Place white barrel connectors into second security clamp and lock closed. Figure 23

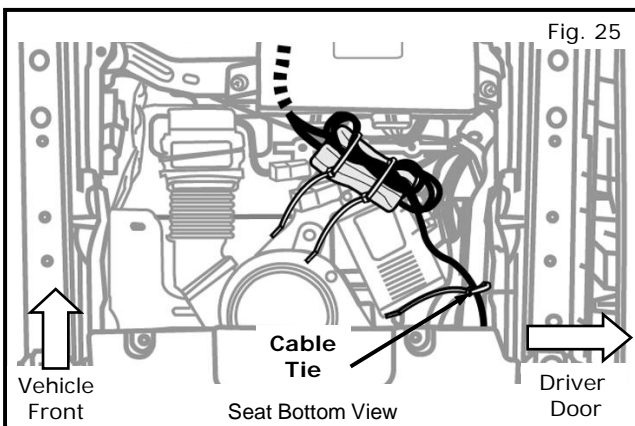
19.9) Apply one piece of foam tape over each security clamp. Figure 23



19.10) Use two cable ties to secure cable security clamps, cables and cable slack to factory harness. Figure 24

a) Group two security clamps and cable slack together with factory harness.

b) Use one cable tie on each side of security clamps (about 1/2" from foam tape ends) to secure.



19.11) Use one cable tie to secure cables to factory harness. Figure 25

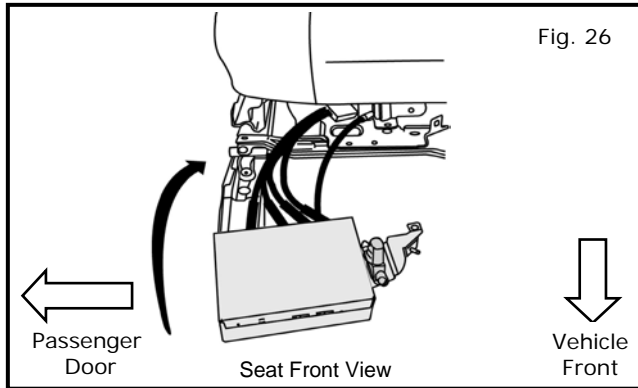
19.12) Using diagonal cutters, cut all excess wire ties.

19.13) Reattach seat apron j-clamps.

NOTE: Do not connect vehicle prewire harness to 16-pin jumper harness until step 22.2

19.14) Continue to **Passenger** Side DVD Headrest Installation for vehicles with Climate Control Seats step 21.

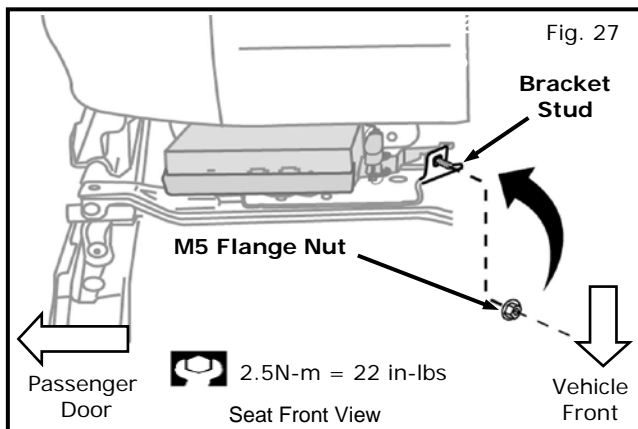
INSTALLATION PROCEDURE: PASSENGER SIDE-STANDARD SEAT



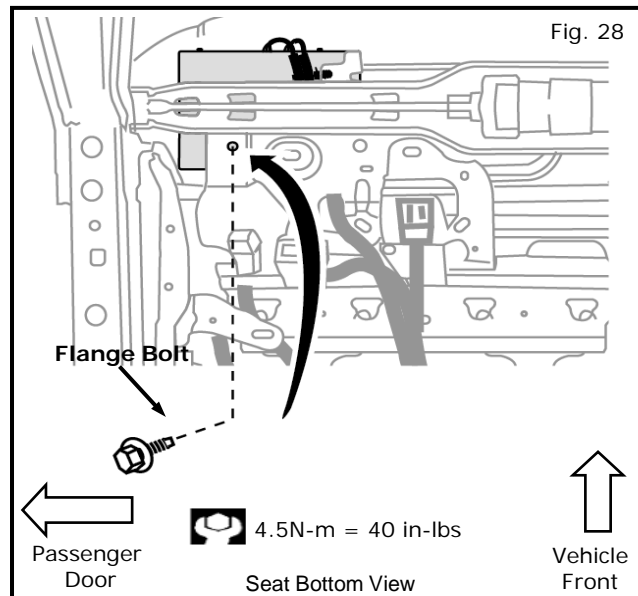
20) Passenger Side DVD Headrest Installation for Vehicles with Standard Seats

NOTE: For vehicles equipped with Climate Controlled seats, proceed to step 21.

- 20.1) Set **Passenger** power seat to Full Up and Rearward positions.
- 20.2) Place control module / bracket assembly into location shown. Figure 26

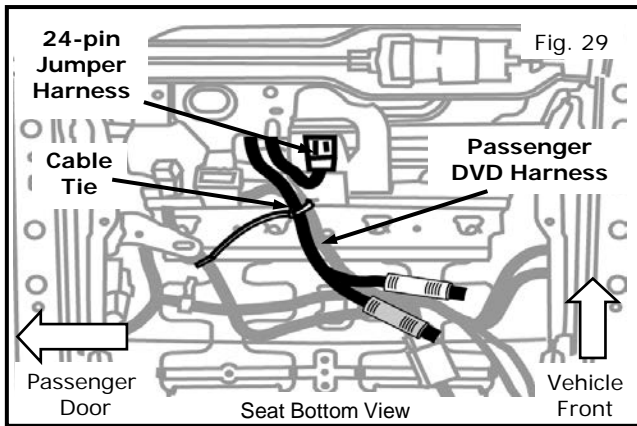


- 20.3) Install control module / bracket assembly by hand tightening one M5 flange nut onto bracket stud. Figure 27



- 20.4) Install one M6 flange bolt into location shown. Figure 28
- 20.5) Using a ratchet, tighten flange nut and flange bolt.
 - a) 8mm socket for flange nut (2.5N-m = 22 in-lbs). Figure 27
 - b) 10mm socket for flange bolt (4.5N-m = 40 in-lbs). Figure 28
- 20.6) Set **Passenger** seat to Full Up and Forward position.

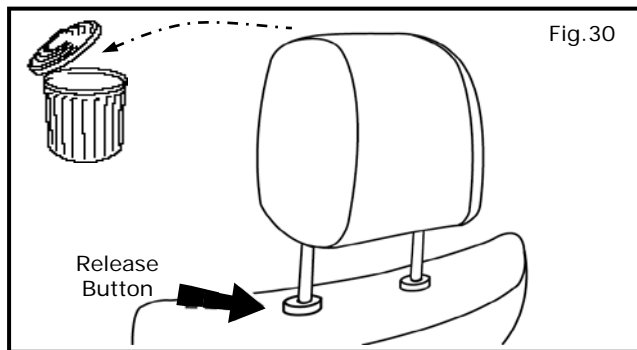
INSTALLATION PROCEDURE: PASSENGER SIDE-STANDARD SEAT (continued)



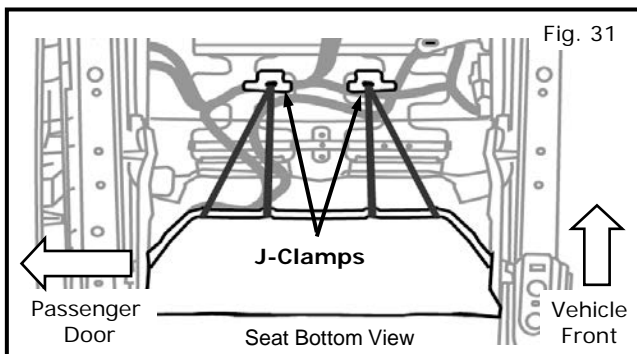
- 20.7) Install 24-pin jumper harness under **Passenger** seat by pressing harness attachment clip into two holes where loop-back connector was attached. Figure 29

NOTE: Do not connect vehicle prewire harness to 24-pin jumper harness until step 22.3

- 20.8) Using one cable tie, secure **Passenger** DVD harness to factory harness as shown. Figure 29

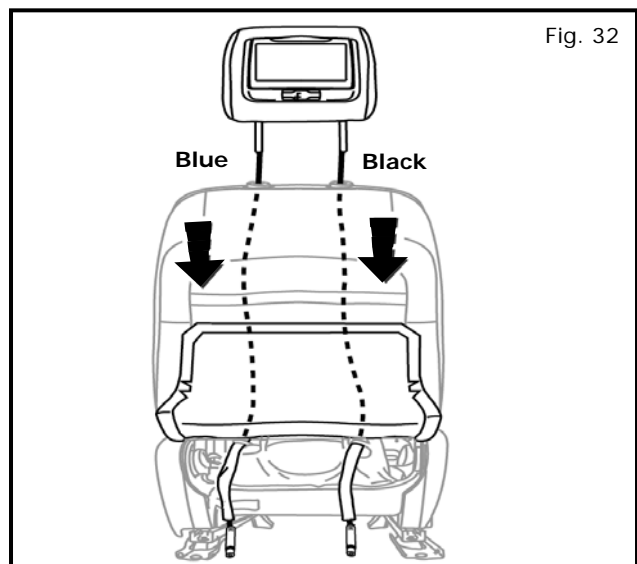


- 20.9) Remove and dispose of **Passenger** headrest by pressing release button on seat post guide, and pulling up on headrest. Figure 30



- 20.10) Disconnect two j-clamps holding seat back apron to underside of **Passenger** seat. Figure 31

NOTE: Use caution when inserting the DVD headrest posts to prevent damage/scratching of seat post guides and seating surface.



- 20.11) Insert **Passenger** DVD headrest cables (blue / black) into seat post guide holes of passenger seat as shown. Continue routing cable down through seat back and out through bottom of seat. Figure 32

NOTE: When installing passenger DVD headrest cables, it is important that DVD screen is positioned correctly. DVD screen must face rearward.

INSTALLATION PROCEDURE: PASSENGER SIDE-STANDARD SEAT (continued)

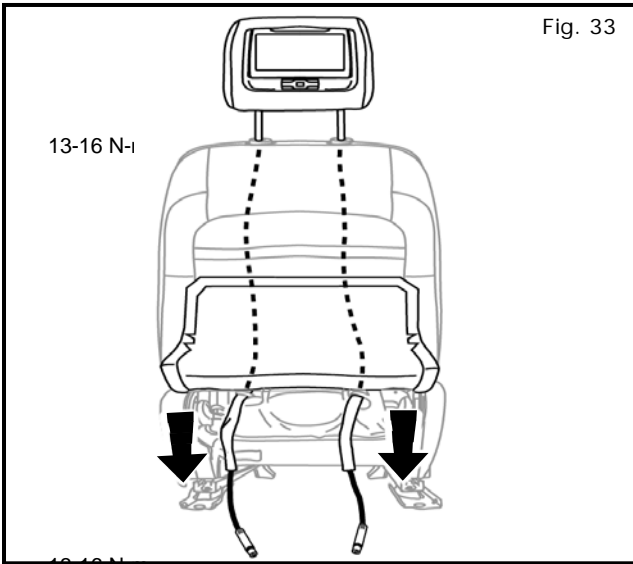


Fig. 33

20.12) Insert **Passenger** DVD headrest posts into seat post guides. Lock DVD headrest into its highest position (Bottom-Most Notch). Figure 33

20.13) Pull on two headrest cables from seat bottom to remove all slack. Figure 33

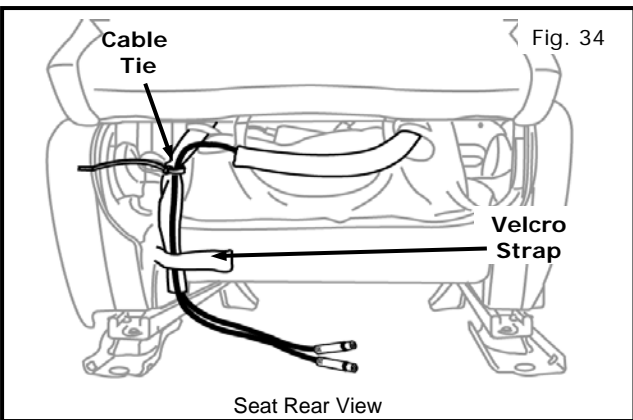


Fig. 34

20.14) Group two headrest cables to inboard side of vehicle by routing cable with black barrel connector toward cable with blue barrel connector. Secure cables to seat harness using one cable tie as shown. Figure 34

20.15) Continue routing two headrest cables down and under seat. Secure cables using existing seat bottom velcro strap. Figure 34

NOTE: Perform cable connection steps, 20.16 through 20.19, as noted to install DVD Headrest correctly for proper operation.

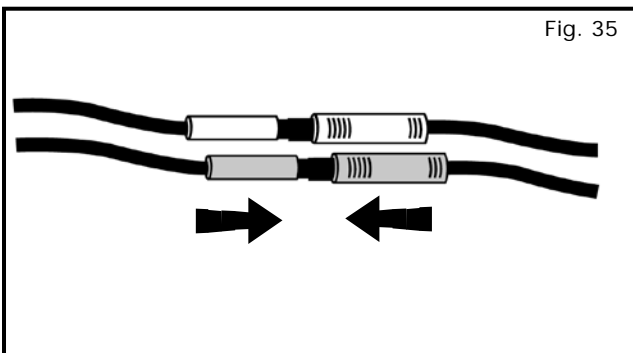


Fig. 35

20.16) Continue routing two headrest cables toward front of vehicle. Connect black and blue barrel connectors to matching black and blue barrel connectors of DVD harness. Figure 35

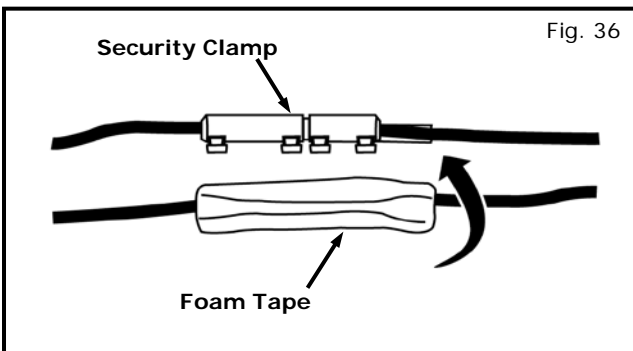
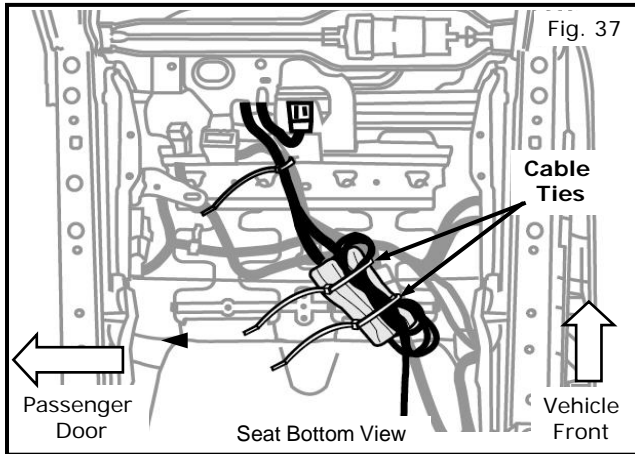


Fig. 36

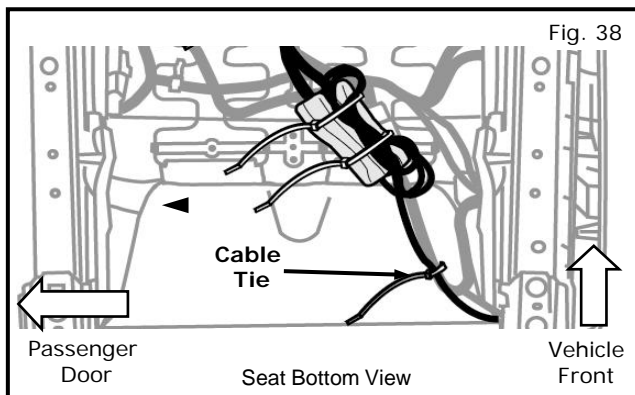
20.17) Secure barrel connectors using two security clamps. Place black barrel connectors into one security clamp and lock closed. Place blue barrel connectors into second security clamp and lock closed. Figure 36

20.18) Apply one piece of foam tape over each security clamp. Figure 36

INSTALLATION PROCEDURE: PASSENGER SIDE-STANDARD SEAT (continued)



- 20.19) Use two cable ties to secure cable security clamps, cables and cable slack to factory harness. Figure 37
- Group two security clamps and cable slack together with factory harness.
 - Use one cable tie on each side of security clamps (about 1/2" from foam tape ends) to secure.



- 20.20) Use one cable tie to secure cables to factory harness. Figure 38

20.21) Using diagonal cutters, cut all excess wire ties.

20.22) Reattach seat apron j-clamps.

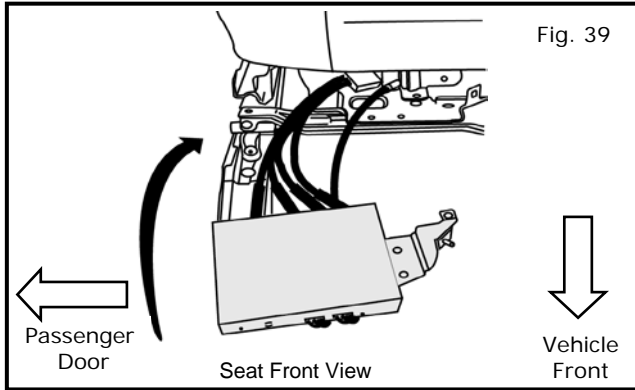
NOTE: Do not connect vehicle prewire harness to 24-pin jumper harness until step 22.3

20.23) Set **Driver** and **Passenger** seats to Full Up and Rearward position.

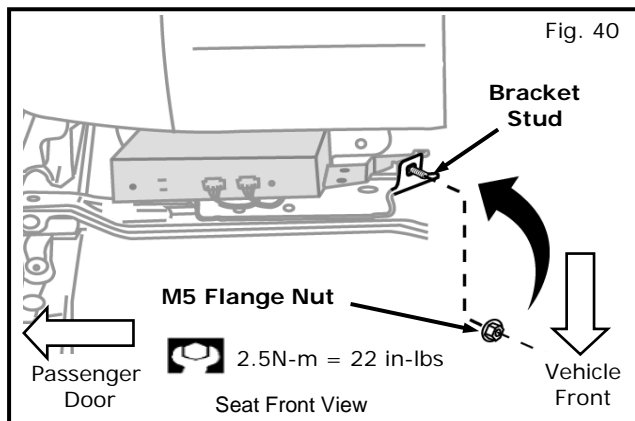
20.24) Proceed to Restore Factory Prewire Harness Connections step 22.

INSTALLATION PROCEDURE: PASSENGER SIDE-CLIMATE CONTROL SEAT

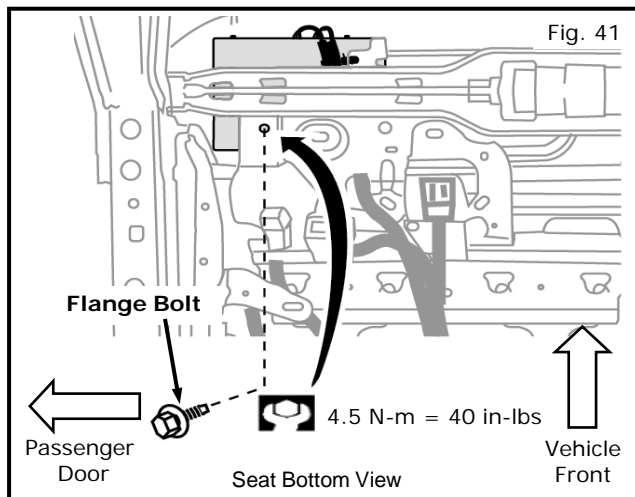
21) Passenger Side DVD Headrest Installation for Vehicles with Climate Control Seats



- 21.1) Set **Passenger** power seat to Full Up and Rearward positions.
- 21.2) Place control module / bracket assembly into location shown. Figure 39

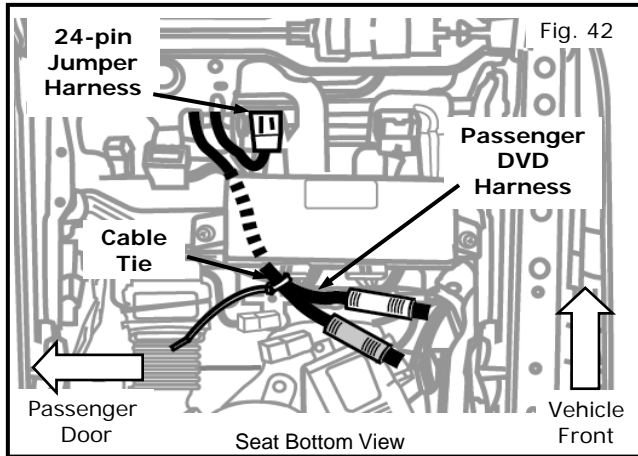


- 21.3) Install control module / bracket assembly by hand tightening one M5 flange nut onto bracket stud. Figure 40



- 21.4) Install one M6 flange bolt into location shown. Figure 41
- 21.5) Using a ratchet, tighten flange nut and flange bolt.
- a) 8mm socket for flange nut (2.5N-m = 22 in-lbs). Figure 27
 - b) 10mm socket for flange bolt (4.5 N-m = 40 in-lbs). Figure 41
- 21.6) Set **Passenger** seat to Full Up and Forward position.

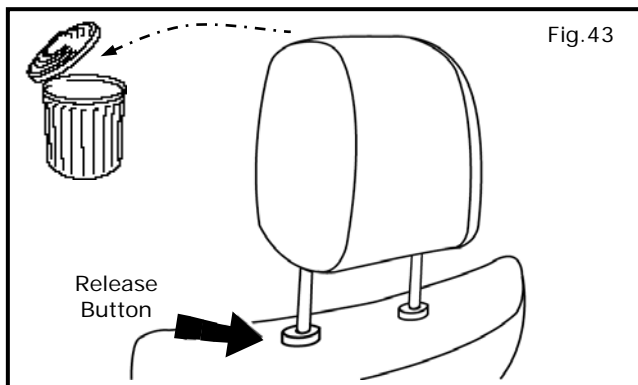
INSTALLATION PROCEDURE: PASSENGER SIDE-CLIMATE CONTROL SEAT (continued)



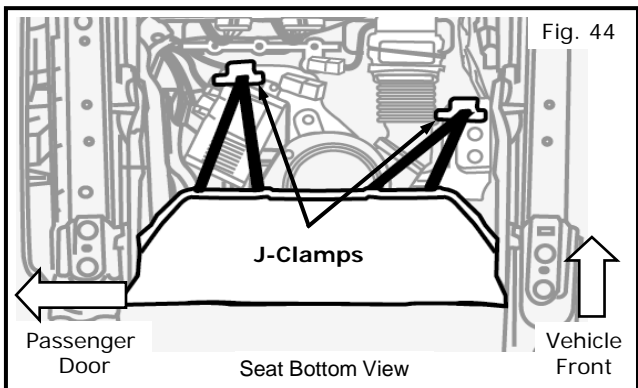
- 21.7) Install 24-pin jumper harness under **Passenger** seat by pressing harness attachment clip into two holes where loop-back connector was attached. Figure 42

NOTE: Do not connect vehicle prewire harness to 24-pin jumper harness until step 22.3

- 21.8) Continue routing two headrest cables above climate control unit and toward rear of vehicle and secure with one cable tie. Figure 42



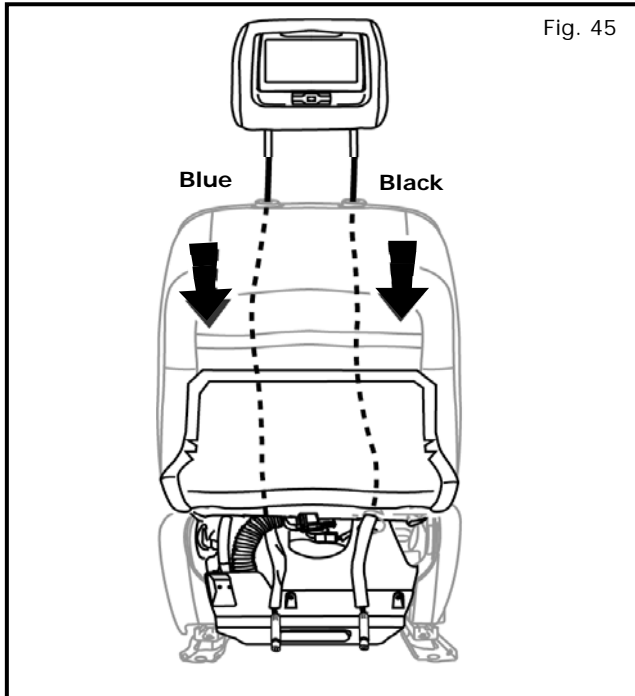
- 21.9) Remove and dispose of **Passenger** headrest by pressing release button on seat post guide, and pulling up on headrest. Figure 43



- 21.10) Disconnect two j-clamps holding seat back apron to underside of **Passenger** seat. Figure 44

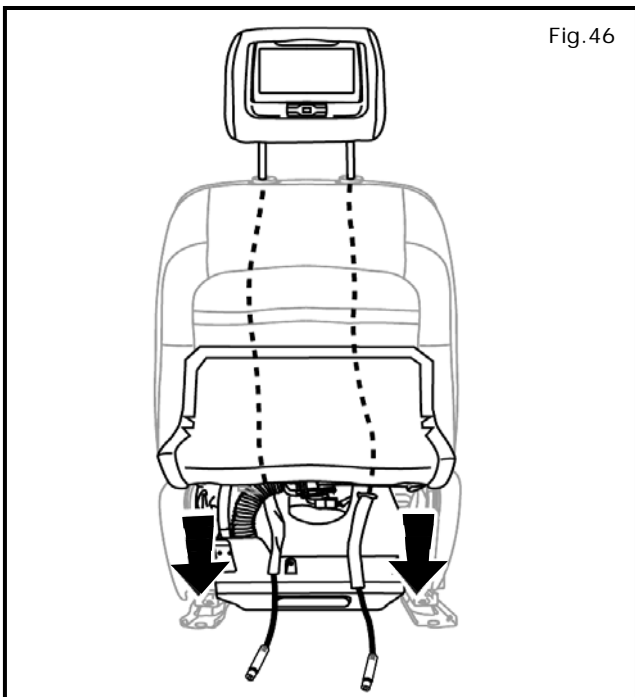
INSTALLATION PROCEDURE: PASSENGER SIDE-CLIMATE CONTROL SEAT (continued)

NOTE: Use caution when inserting the DVD headrest posts to prevent damage/scratching of seat post guides and seating surface.



21.11) Insert passenger DVD headrest cables (blue / black) into seat post guide holes of **Passenger** seat as shown. Continue routing cable down through seat back and out through bottom of seat. Figure 45

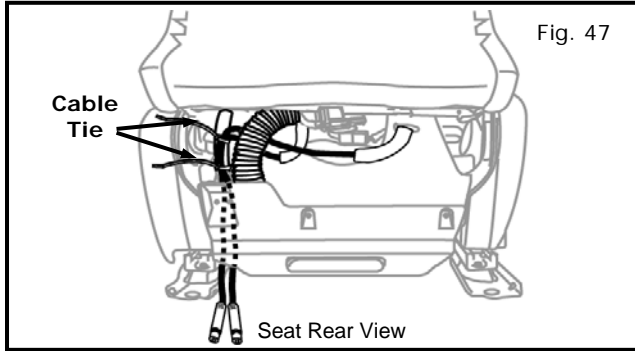
NOTE: When installing passenger DVD headrest cables, it is important that DVD screen is positioned correctly. DVD screen must face rearward.



21.12) Insert **Passenger** DVD headrest posts into seat post guides. Lock DVD headrest into its highest position (Bottom-Most Notch). Figure 46

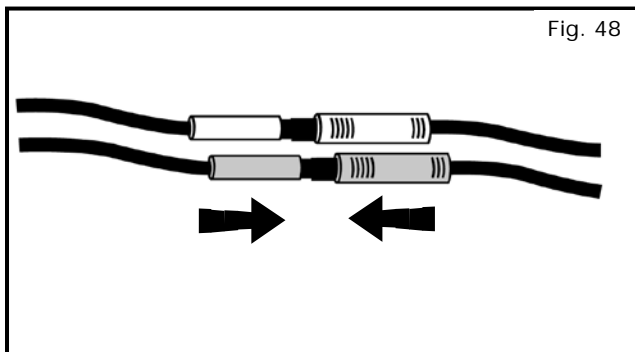
21.13) Pull on two headrest cables from seat bottom to remove all slack. Figure 46

INSTALLATION PROCEDURE: PASSENGER SIDE-CLIMATE CONTROL SEAT (continued)

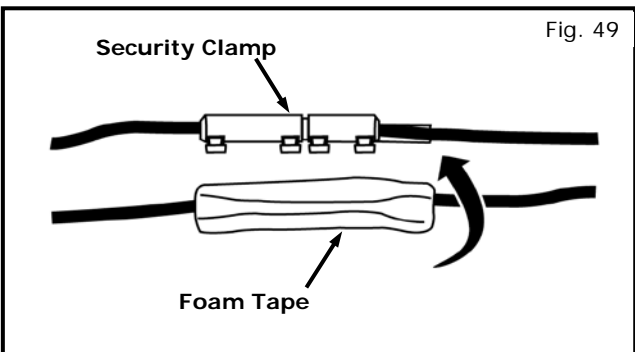


21.14) Group two headrest cables to inboard side of vehicle by routing cable with black barrel connector toward cable with blue barrel connector. Secure cables to seat harness using two cable ties as shown. Figure 47

NOTE: Perform cable connection steps, 21.15 through 21.18, as noted to install DVD Headrestrest correctly for proper operation.

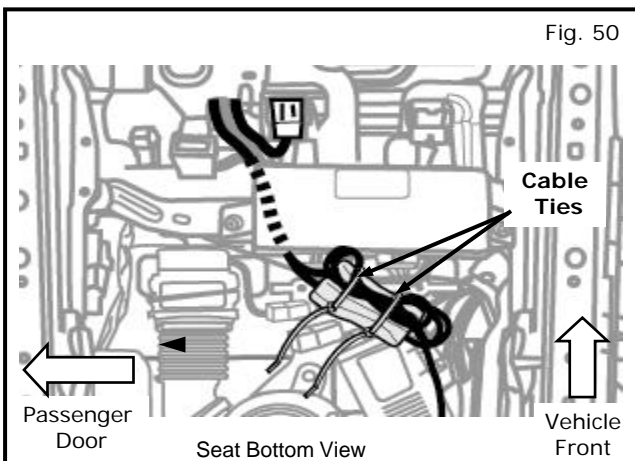


21.15) Continue routing two headrest cables toward front of vehicle. Connect black and blue barrel connectors to matching black and blue barrel connectors of DVD harness. Figure 48



21.16) Secure barrel connectors using two security clamps. Place black barrel connectors into one security clamp and lock closed. Place blue barrel connectors into second security clamp and lock closed. Figure 49

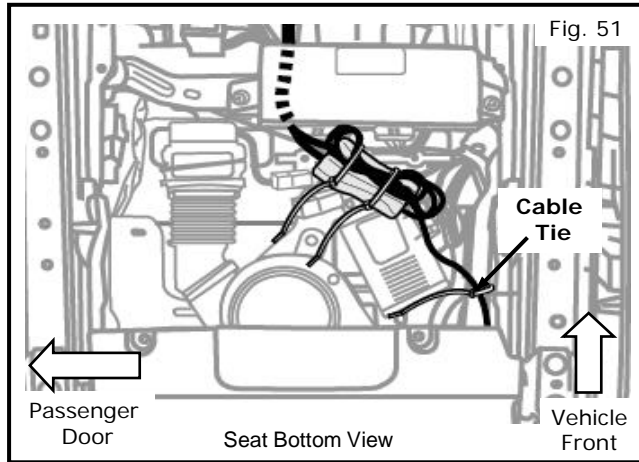
21.17) Apply one piece of foam tape over each security clamp. Figure 49



21.18) Use two cable ties to secure cable security clamps, cables and cable slack to factory harness. Figure 50

- a) Group two security clamps and cable slack together with factory harness.
- b) Use one cable tie on each side of security clamps (about 1/2" from foam tape ends) to secure.

INSTALLATION PROCEDURE: PASSENGER SIDE-CLIMATE CONTROL SEAT (continued)



21.19) Use one cable tie to secure cables to factory harness. Figure 51

21.20) Using diagonal cutters, cut all excess wire ties.

21.21) Reattach seat apron j-clamps.

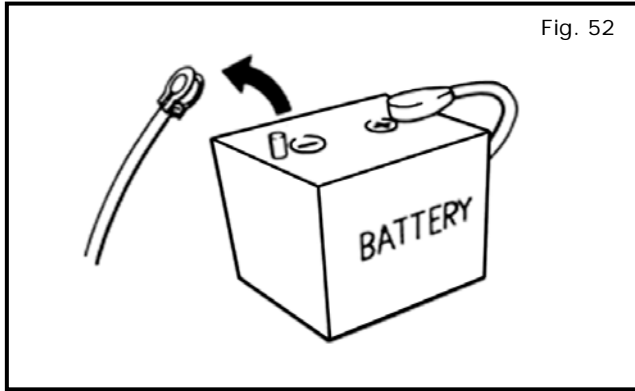
NOTE: Do not connect vehicle prewire harness to 24-pin jumper harness until step 22.3

21.22) Set **Driver** and **Passenger** seats to Full Up and Rearward position.

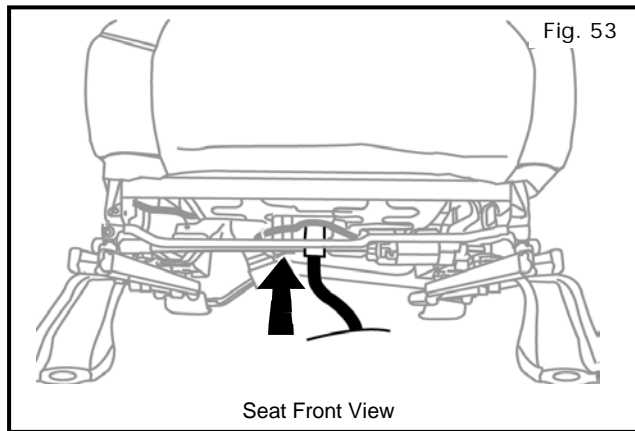
21.23) Proceed to Restore Factory Prewire Harness Connections step 22.

INSTALLATION PROCEDURE: RESTORE FACTORY PREWIRE HARNESS CONNECTIONS

22) Restore Factory Prewire Harness Connections



22.1) Disconnect negative battery terminal to prevent short circuits during installation procedure. Figure 52



22.2) Connect factory prewire harness to 16-pin jumper harness under **Driver** seat. Figure 53

22.3) Connect factory prewire harness to 24-pin jumper harness under **Passenger** seat. Figure 53

ACCESSORY CHECK:

- Connect the battery negative terminal and tighten the nut to 5.4 N-m (47.8 lb-in).
- Check all **Critical Installation Steps**.
- Check all **torque** values.
 - 20.5) Using a ratchet, tighten flange nut and flange bolt.
 - a) 8mm socket for flange nut (2.5N-m = 22 in-lbs). Figure 27
 - b) 10mm socket for flange bolt (4.5N-m = 40 in-lbs). Figure 28
 - 21.5) Using a ratchet, tighten flange nut and flange bolt.
 - a) 8mm socket for flange nut (2.5N-m = 22 in-lbs). Figure 40
 - b) 10mm socket for flange bolt (4.5N-m = 40 in-lbs). Figure 41
- Verify all wiring is secure and not exposed.
- Trim all excess cable ties flush.
- Turn ignition switch to "**ACC**" position.
- Confirm accessory main features and functions. Diagnostic flow chart is available on page 24 for troubleshooting.

Press power button on each DVD Headrest Monitor to verify backlighting illuminates and displays NISSAN Logo.

Insert a DVD into each DVD Headrest Monitor to verify DVD players accept discs.

NOTE: Supplied is a dual function Remote Control used to control each DVD Headrest Monitor independently. Press "DVD-A" button to use remote control to operate Driver Side DVD Headrest Monitor. Press "DVD-B" button to use remote control to operate Passenger Side DVD Headrest Monitor.

Press Play button on remote control to verify DVD video is displayed on LCD monitors.

Press Power button and AUX button on radio to verify audio from **Driver Side** DVD Monitor can be heard through vehicle speakers.

NOTE: Supplied Wireless Headphones are equipped with a A-B switch to select audio from either Driver Side DVD Headrest Monitor (CH A) or Passenger Side DVD Headrest Monitor (CH B). When sitting in-front of Driver Side DVD Headrest Monitor, use CH A switch setting. When sitting in front of Passenger Side DVD Headrest Monitor, use CH B switch setting.

Press and release Power button on wireless headphones to verify audio from DVD can be heard through headphones.

Press STOP button on remote control to verify DVD disc stops playing.

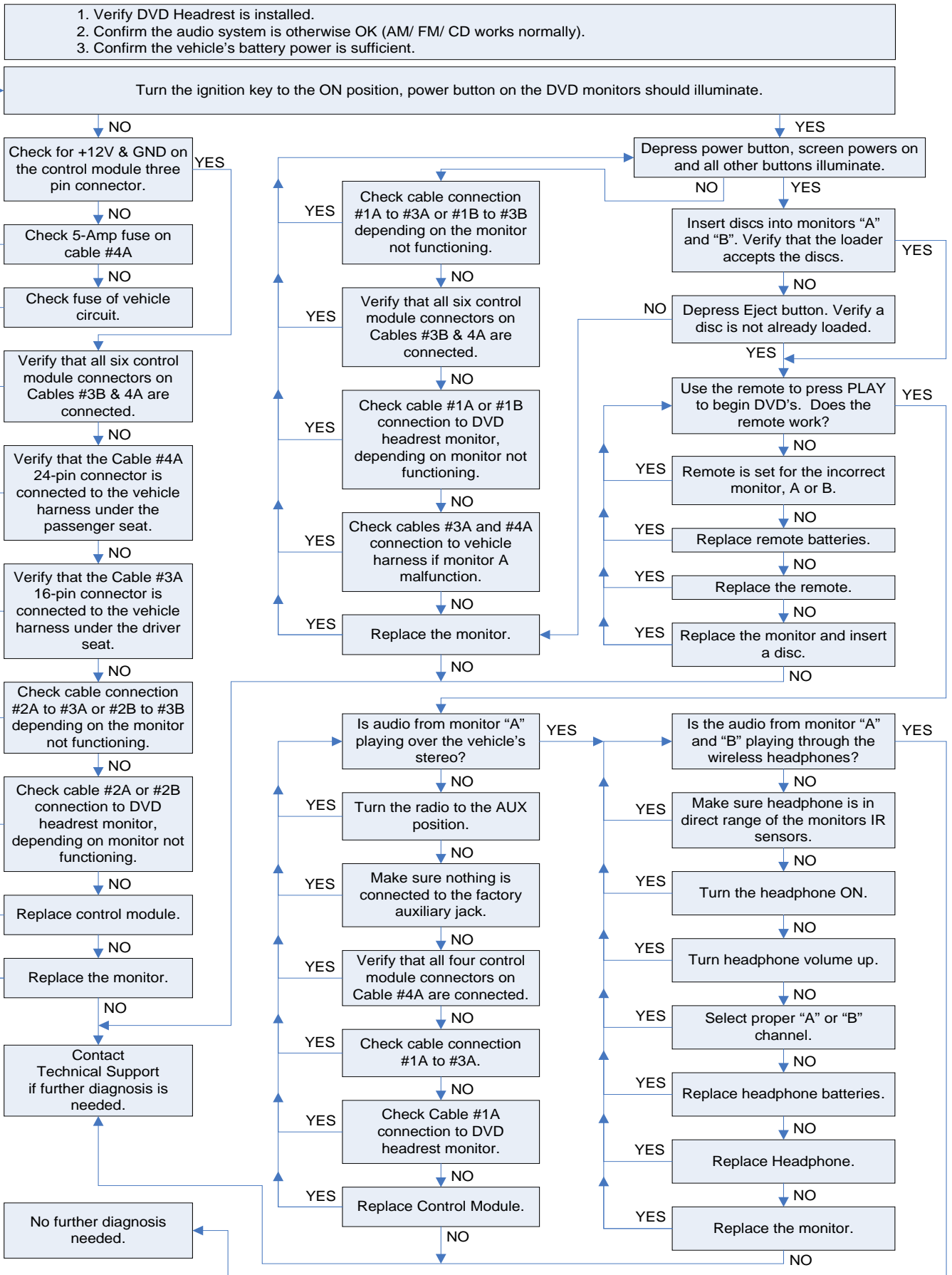
ACCESSORY CHECK: (continued)

- Press EJECT button on each DVD player to verify DVD Headrest monitors eject discs properly.
- Check all vehicle electrical systems that accessory interfaces with.
 - Vehicle electrical system 1
 - Vehicle electrical system 2

FINAL INSPECTION:

- Verify vehicle headliner, seat, steering wheel, center console, floor carpets, etc. are not soiled.
- Verify interior and exterior is not damaged.
- Turn ignition switch to "ON" and confirm proper operation of Vehicle Systems
 - If equipped, verify all window and sunroof one touch operation and perform the reset procedure if necessary. Refer to vehicle service manual for more details.
 - Confirm proper audio function (AM, FM, SAT, CD and AUX).
- Re-program radio presets and other vehicle settings to the recorded settings.
- Start engine and verify that there are no new Diagnostic Trouble Codes. Turn ignition switch to "OFF".
- Place Owner's Manual and Quick Reference Guide in glove box.
- Place Wireless Headphones and Remote Control in vehicle.
- Return vehicle to shipping state.
- If this vehicle will be returned to a dealer lot or showroom for an extended period of time, be sure extended storage switch is placed in the "inventory" position.
- Perform ODS Zero Reset procedure using Consult 3+.

DIAGNOSTIC FLOW CHART:





GENUINE PARTS SERVICE PARTS LIST

APPLICATION: PATHFINDER DUAL DVD HEADRESTRAINT MONITOR

PART NUMBER(S): Dual DVD Headrestrest Monitor Leather, (G; 1) Charcoal - 999U8 XZ000
Dual DVD Headrestrest Monitor Leather, (H; 1) Almond - 999U8 XZ001

No.	Part Name	Description	Service Part Number
1	DVD HDRST MNTR DR	DVD Headrestrest Assembly, Leather (G; 1) Charcoal	999U8 XZ010-01
		DVD Headrestrest Assembly, Leather (H; 1) Almond	999U8 XZ011-01
2	DVD HDRST MNTR AS	DVD Headrestrest Assembly, Leather (G; 1) Charcoal	999U8 XZ010-02
		DVD Headrestrest Assembly, Leather (H; 1) Almond	999U8 XZ011-02
3	DVD HDRST DR	Headrestrest, Leather (G) Charcoal	999U8 XZ020-01
		Headrestrest, Leather (H) Almond	999U8 XZ021-01
4	DVD HDRST AS	Headrestrest, Leather (G) Charcoal	999U8 XZ020-02
		Headrestrest, Leather (H) Almond	999U8 XZ021-02
5	DVD MNTR DR NISSAN (1)	DVD Monitor, DR, NISSAN (1)	999U8 XZ030
6	DVD MNTR AS NISSAN (1)	DVD Monitor, AS, NISSAN (1)	999U8 XZ031
7	CTL ASSY PREPACK	Controller Assembly and Hardware	999U8 RZ040
8	DVD CTRL & BRK ASSY	Control Module, Bracket and Harness	999U8 RZ043
9	CUSTOMER PREPACK NISSAN (1&2)	Wireless Headphones (2), Remote Control, Owner's Manual and Quick Reference Guide	999U8 XZ075
10	WIRELESS HEADPHONE IR	Wireless Headphone, Infrared (universal)	999U8 VZ042
11	REMOTE CTL IR	Remote Control, Infrared (universal)	999U8 VZ044
12	OWNER MANUAL NISSAN (1&2)	NISSAN Owner's Manual (English/French/Arabic)	999U8 XZ080
13	QUICK REFERENCE GUIDE NISSAN (1&2)	NISSAN Quick Reference Guide (English/French/Arabic)	999U8 XZ081
14	INSTALL PREPACK	Cable Ties, Security Clamps, Foam Tape Strips and 16-Pin Jumper Harness, Driver	999U8 RZ070
15	HRN KIT	Harness Package, Complete System (DR-1; AS-2)	999U8 VZ060-SP

NOTE: The images below depict the appearance of the parts listed above and are not exact representations of each part.

